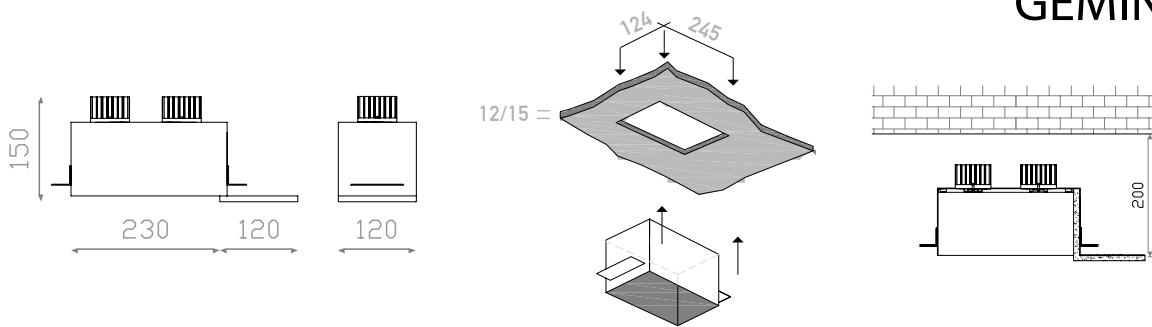


MAC  
MARY

## GEMINI DECÒ



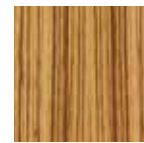
Cod. LE...

Color code pag. 89



Cod. LQ-NCS...

Zebrano



Cod. ZB

Beige Oak



Cod. B0

Grey Oak



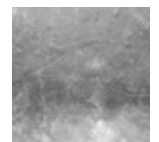
Cod. G0

Gold Leaf



Cod. OR

Silver Leaf



Cod. AR

### SOURCE

2x LED star Cree XHP-35  
230V-50Hz - 2x Max 8,3W  
3000K - lm 1440 - CRI 90

### BEAM



### WEIGHT

net: kg 1,80  
Total: kg 2,70

### PACKAGING

vol- m³: 0,021

CE IP20



Example composition code : Gemini-ZB-LQ-NCS...